

Product data sheet

Characteristics

9070T500D4

Transformer, Type T, industrial control, 500 VA,
277 VAC primary / 120 VAC secondary, 1 phase,
50/60 Hz, 115 °C rise



Product availability: Stock - Normally stocked in distribution facility

Price*: 471.00 USD



Main

| | |
|---------------------------|--------------------------------|
| Product or component type | Industrial Control Transformer |
| Rated power in VA | 500 VA |
| Range of product | T |

Complementary

| | |
|-----------------------|---|
| Phase | 1 phase |
| Rated power in VA | 500 VA UL 500 VA CSA 500 VA NOM 300 VA |
| Temperature rise | 115 °C |
| Electrical connection | Screw clamp terminals |
| Height | 3.84 In (97.54 mm) |
| Width | 4.5 In (114.30 mm) |
| Depth | 5.49 In (139.45 mm) |
| Material | Copper winding |
| Product compatibility | FSC2 |

Environment

| | |
|---------------------------|--|
| Product certifications | UL listed file E61239 CSA file LR37055 guide 184-N-90 |
| NEMA degree of protection | Not rated (open device) |
| Insulation temperature | 356 °F (180 °C) |

Ordering and shipping details

| | |
|-----------------------|------------------------------------|
| Category | 16201 - 9070 T (NOT TF) 250-2000VA |
| Discount Schedule | CP8 |
| GTIN | 00785901905653 |
| Nbr. of units in pkg. | 1 |
| Package weight(Lbs) | 12.4 Lb(US) (5.62 kg) |
| Returnability | Yes |
| Country of origin | MX |

Packing Units

| | |
|------------------|---------------------|
| Package 1 Height | 6.40 In (16.256 cm) |
| Package 1 width | 6.80 In (17.272 cm) |
| Package 1 Length | 7.60 In (19.304 cm) |

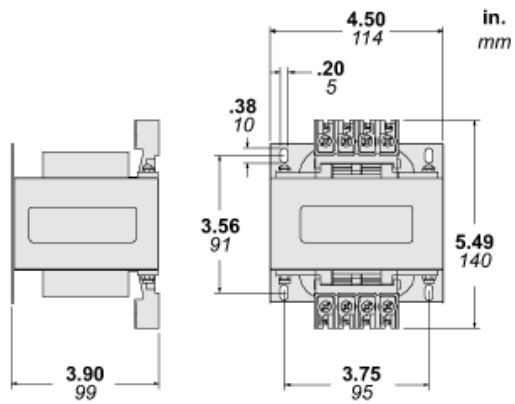
Offer Sustainability

| | |
|----------------------------|---|
| Sustainable offer status | Green Premium product |
| California proposition 65 | WARNING: This product can expose you to chemicals including: Phenyl glycidyl ether, which is known to the State of California to cause cancer and birth defects or other reproductive harm. For more information go to www.P65Warnings.ca.gov |
| REACH Regulation | REACH Declaration |
| EU RoHS Directive | Compliant EU RoHS Declaration |
| Mercury free | Yes |
| RoHS exemption information | Yes |
| China RoHS Regulation | China RoHS Declaration |
| Environmental Disclosure | Product Environmental Profile |
| PVC free | Yes |

Contractual warranty

| | |
|----------|----------|
| Warranty | 10 Years |
|----------|----------|

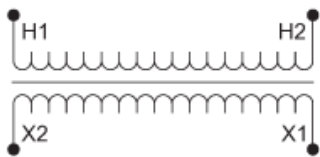
Approximate Dimensions



Connections and Wiring Diagrams

Voltage and Connection Options

| Voltage Code | Voltages | | Connections | |
|--------------|----------|-----------|-------------------------|-------------------------|
| | Primary | Secondary | Primary | Secondary |
| D3 | 208 | 120 | Connect to H1 and H2 | Connect to X1 and X2 |
| D4 | 277 | 120 | | |
| D5 | 550 | 110 | | |
| | 575 | 115 | | |
| | 600 | 120 | | |
| D6 | 380 | 110 | | |
| D17 | 415 | 110 | | |
| D24 | 110 | 110 | | |
| | 115 | 115 | | |
| | 120 | 120 | | |
| D93 | 200 | 115 | | |
| D103 | 400 | 120 | | |



Product Life Status : **Commercialised**